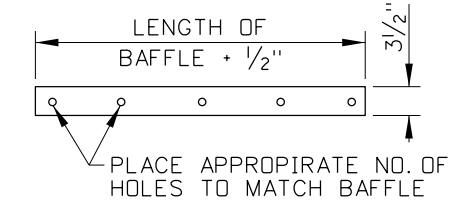
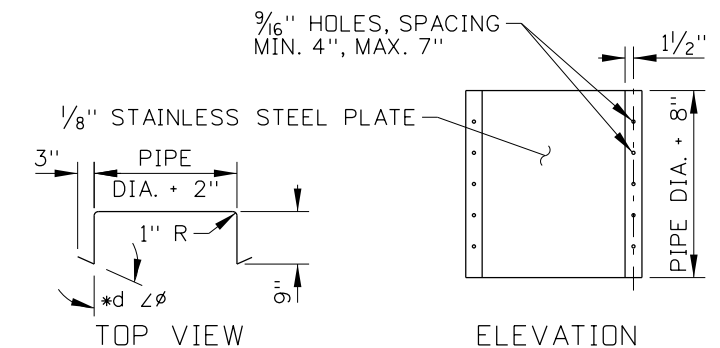


PLAN  
TOP ELEVATION - SECTION B-B



\*e (2) REQUIRED (SEE NOTE NO. 5)

GASKET DETAIL

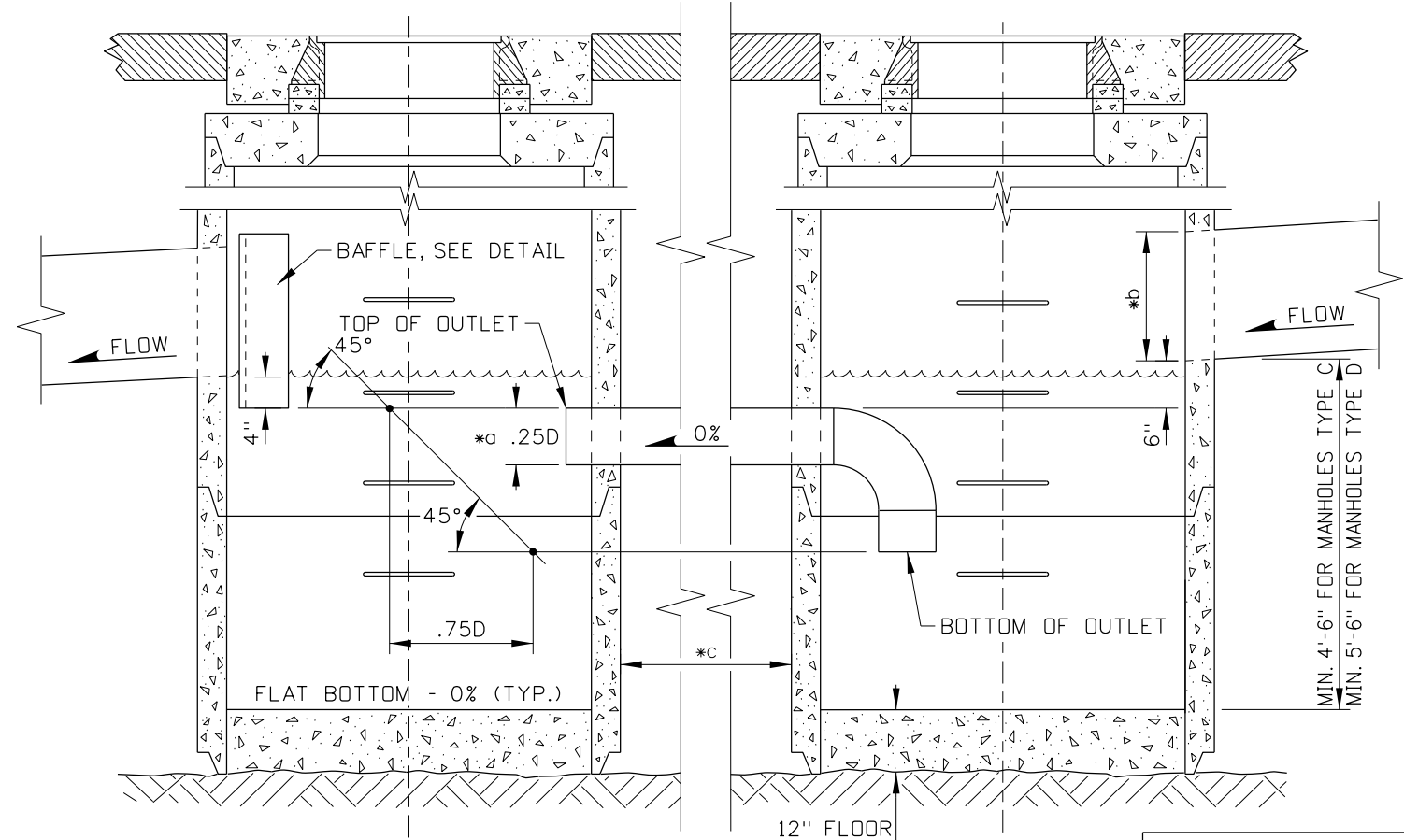


BAFFLE DETAIL

PIPE SIZE	BEND ANGLE (°)	
	MANHOLE C (48")	MANHOLE D (48")
12"	±70°	±75°
15"	±65°	±70°
18"	±60°	±65°
24"	±55°	±60°
30"	±45°	±55°
36"	±30°	±45°

NOTES

- CARE SHALL BE TAKEN TO AVOID PLACING THE MANHOLE OPENINGS IN WHEEL PATHS.
- SEDIMENT AND OIL TRAPS MAY BE EITHER PRECAST OR CAST-IN-PLACE. PRECAST TRAPS SHALL MEET THE REQUIREMENTS OF ASTM C 478. PRIOR APPROVAL OF THE SHOP DRAWING WILL BE REQUIRED ON PRECAST UNITS.
- CAST-IN-PLACE SEDIMENT & OIL TRAPS SHALL CONFORM WITH SECTION 609 - MINOR STRUCTURES OF THE CURRENT STANDARD SPECIFICATIONS. ALL REINFORCEMENT SHALL HAVE A MINIMUM CONCRETE COVER OF 2" AND/OR 3" IF CAST AGAINST EARTH.
- MAXIMUM SPACING BETWEEN MANHOLES SHALL BE 20' FOR TYPE C MANHOLES AND 30' FOR TYPE D MANHOLES.
- THE BAFFLE SHALL BE INSTALLED SO THAT THE EDGES ARE WATER-TIGHT TO THE STRUCTURE. THE GASKET SHALL BE MADE OF A WATER AND OIL RESISTANT MATERIAL.
- STANDARD DRAWING 605-12 SHALL ACCOMPANY THIS DRAWING. REFER TO STANDARD DRAWING 605-13 FOR MANHOLE COVERS.
- NOT TO SCALE.



BOTTOM ELEVATION - SECTION A-A  
SEDIMENT & OIL TRAP

- \*a MIN. 6" DIA. WITH MANHOLE TYPE C  
MIN. 8" DIA. WITH MANHOLE TYPE D
- \*b MAX. 24" DIA. PIPE WITH MANHOLE TYPE C  
MAX. 36" DIA. PIPE WITH MANHOLE TYPE D
- \*c SEE NOTE NO. 4
- \*d SEE BAFFLE LIP ANGLE TABLE  
 $\cos \phi = ((\text{OUTLET PIPE DIA.}) + 5") / \text{MANHOLE DIA.}$
- \*e BAFFLE REQUIRES TWO GASKETS

ORIGINAL STORED AT: ITD, Headquarters 3311 West State Boise, Idaho

ORIGINAL SIGNED BY: MILDRED L. MILLER  
DATE ORIGINAL SIGNED: DECEMBER 21, 1995

REVISIONS							
NO.	DATE	BY	NO.	DATE	BY	NO.	DATE

SCALES SHOWN ARE FOR 11" X 17" PRINTS ONLY  
CADD FILE NAME: 605-32\_1295.dgn  
DRAWING DATE: DECEMBER, 1995

**IDAHO TRANSPORTATION DEPARTMENT**

BOISE IDAHO

ORIGINAL SIGNED BY: MONTE FIALA  
CHIEF OF HIGHWAY OPERATIONS  
ORIGINAL SIGNED BY: JIMMY ROSS  
CHIEF ENGINEER

STANDARD DRAWING  
**SEDIMENT AND OIL TRAP MANHOLE (IN STREET)**  
REQUIRES STD. DWG. 605-12 & REFER TO STD. DWG. 605-13

**English**  
STANDARD DRAWING NO.  
**605-32**  
SHEET 1 OF 1