

- NOTES**
1. LOCATE CATCH BASINS TO INTERCEPT ROADWAY DRAINAGE PRIOR TO FLOWING ONTO A BRIDGE AND INTERCEPT DRAINAGE THAT HAS COLLECTED ON BRIDGE OR AS SHOWN ON THE PLANS.
 2. SEE THE DESIGN MANUAL FOR FURTHER INFORMATION ON RUNOFF DRAIN OR EMBANKMENT PROTECTOR.
 3. USE CONCRETE BARRIER WITH SEALED SCUPPERS ON THE UPSTREAM FROM THE GRATE OPENING. USE GROUT OR PLANT MIX TO SEAL THE SCUPPERS ALONG THE DRAIN RUNOFF AREA. 10' OR 20' CONCRETE BARRIER MAY BE USED.
 4. DO NOT USE IN TEMPORARY OR PERMANENT TRAFFIC LANES. USE ONLY WHERE TRAFFIC IS OCCASIONAL, SUCH AS ON HIGHWAY SHOULDERS.
 5. NOT TO SCALE.

ORIGINAL STORED AT: ITD, Headquarters 3311 West State Boise, Idaho

ORIGINAL SIGNED BY: RYAN D. LANCASTER
DATE ORIGINAL SIGNED: JANUARY 31, 2013

REVISIONS								
NO.	DATE	BY	NO.	DATE	BY	NO.	DATE	BY
1	12-01	MSM						
2	7-02	MSM						
3	3-05	MSM						
4	9-10	PLR						
5	12-12	RDL						

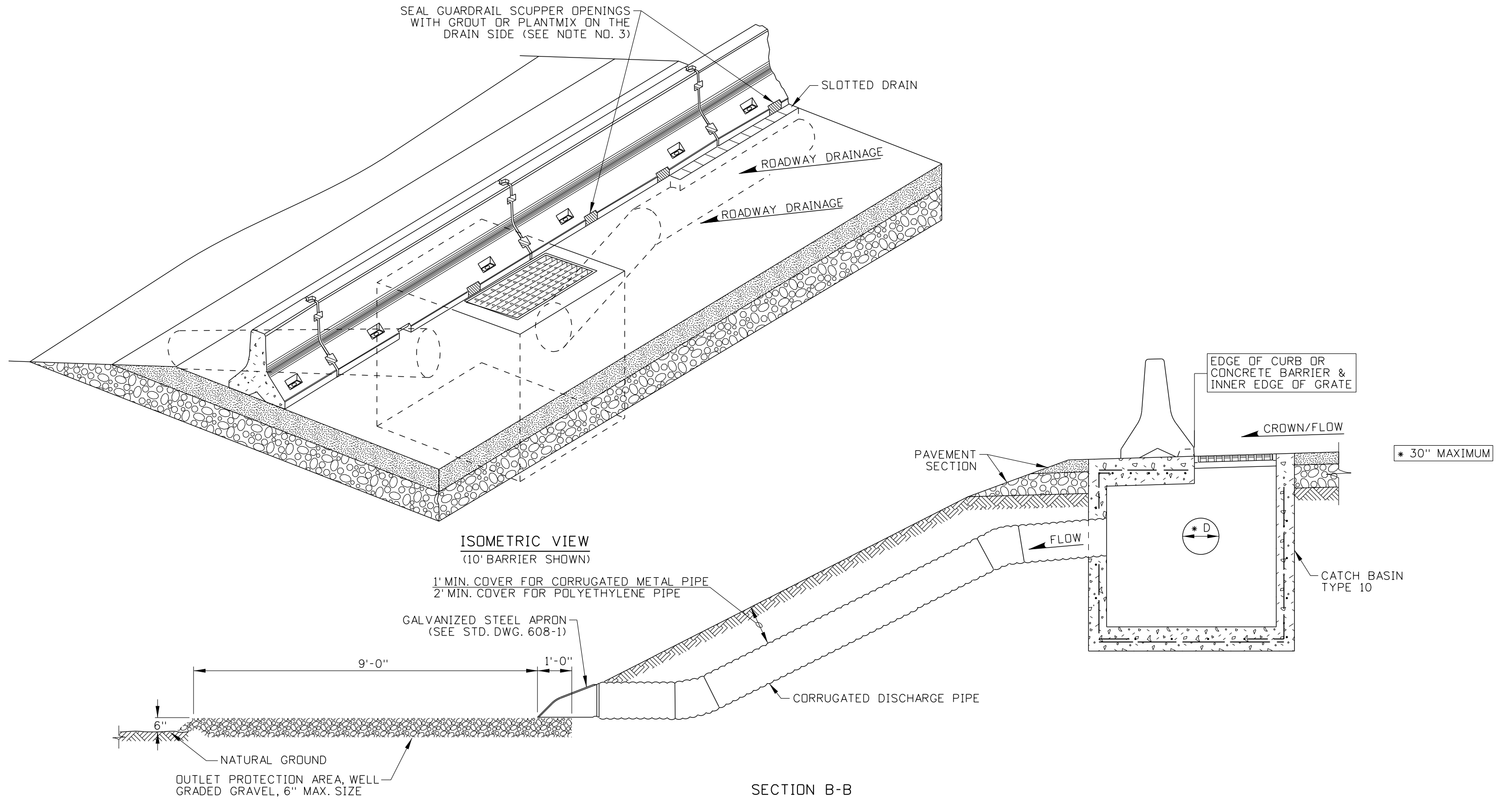
SCALES SHOWN ARE FOR 11" X 17" PRINTS ONLY
CADD FILE NAME: 607-2_0113.dgn
DRAWING DATE: DECEMBER, 1993

IDAHO TRANSPORTATION DEPARTMENT
BOISE IDAHO

ORIGINAL SIGNED BY: LOREN THOMAS
HIGHWAYS PROGRAM OVERSIGHT ENGINEER
ORIGINAL SIGNED BY: TOM COLE
CHIEF ENGINEER

STANDARD DRAWING
EMBANKMENT PROTECTOR WITH SLOTTED DRAIN
REQUIRES SHEET 2 OF 2 & STD. DWG. 605-27

English
STANDARD DRAWING NO. **607-2**
SHEET 1 OF 2



REVISIONS								
NO.	DATE	BY	NO.	DATE	BY	NO.	DATE	BY
1	12-01	MSM						
2	7-02	MSM						
3	3-05	MSM						
4	9-10	PLR						
5	12-12	RDL						

SCALES SHOWN ARE FOR 11" X 17" PRINTS ONLY

CADD FILE NAME: 607-2_0113.dgn

DRAWING DATE: DECEMBER, 1993

IDAHO TRANSPORTATION DEPARTMENT



BOISE IDAHO

ORIGINAL SIGNED BY: LOREN THOMAS
HIGHWAYS PROGRAM OVERSIGHT ENGINEER

ORIGINAL SIGNED BY: TOM COLE
CHIEF ENGINEER

STANDARD DRAWING

EMBANKMENT PROTECTOR WITH SLOTTED DRAIN

REQUIRES SHEET 1 OF 2 & STD. DWG. 605-27

English

STANDARD DRAWING NO.
607-2

SHEET 2 OF 2

ORIGINAL STORED AT: ITD, Headquarters 3311 West State Boise, Idaho

ORIGINAL SIGNED BY:
RYAN D. LANCASTER
DATE ORIGINAL SIGNED:
JANUARY 31, 2013