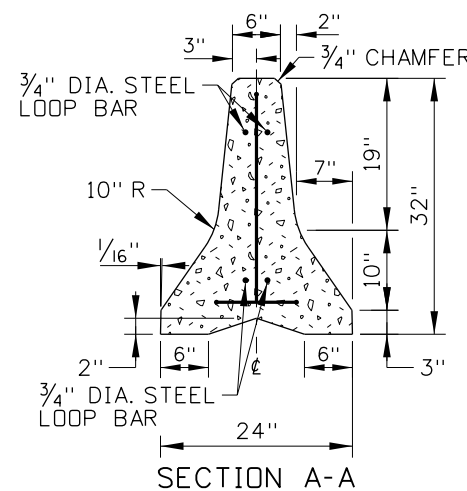
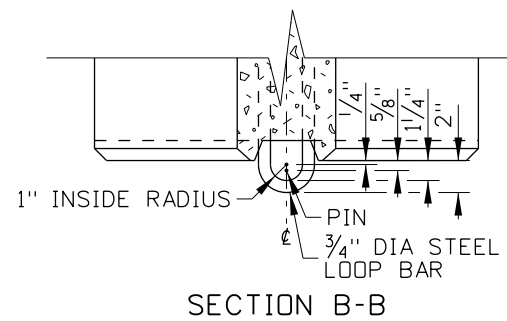
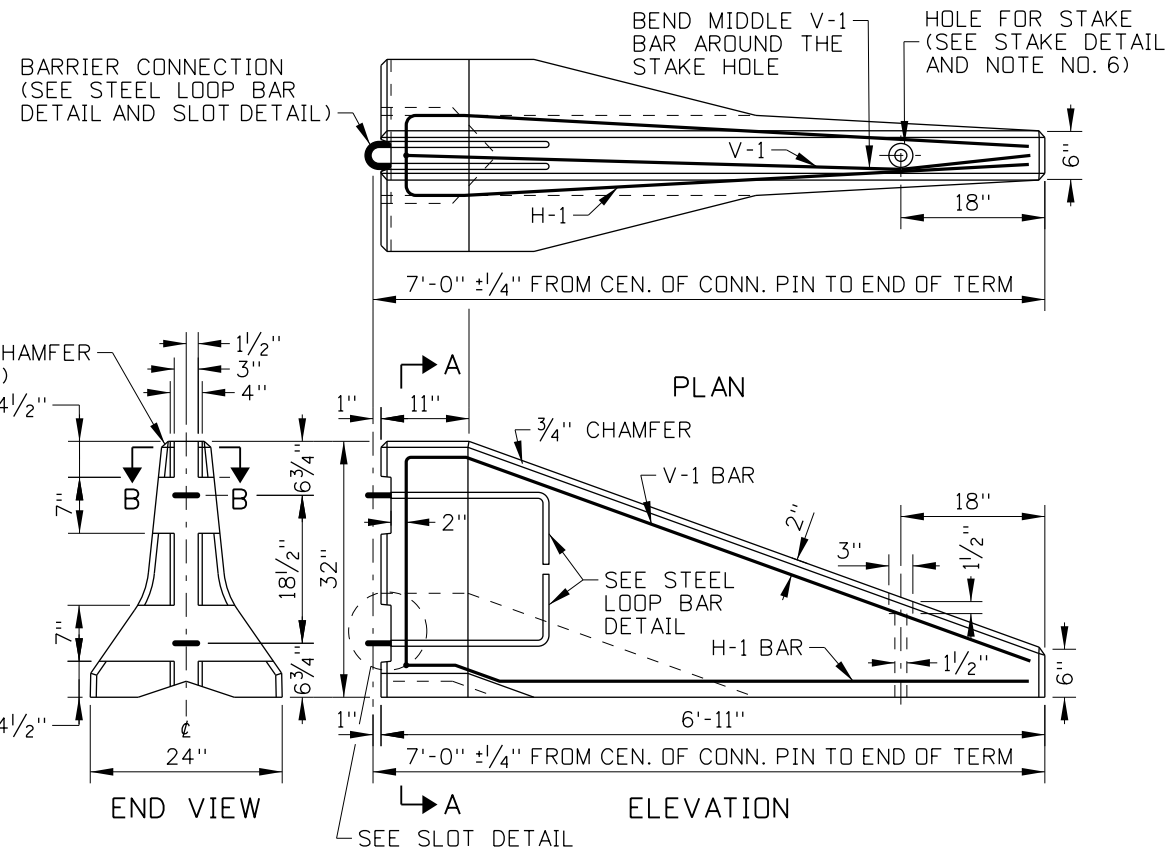
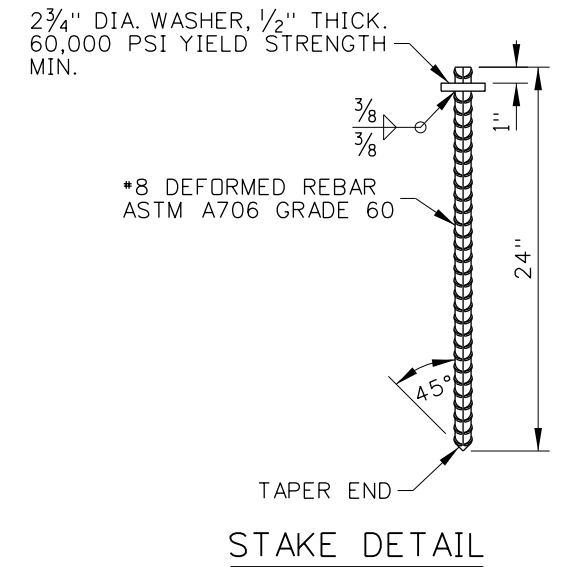
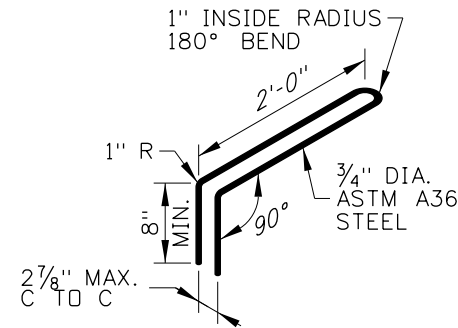
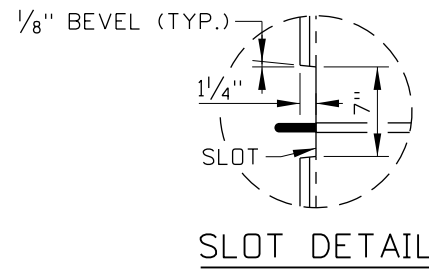


TERMINAL TYPE A REINFORCING STEEL TABLE (SEE NOTE NOS. 1, 2, & 3)				
MARK	LOCATION	BAR SIZE	NUMBER OF BARS	SKETCH
H-1	HORIZONTAL BAR.	NO. 5	1	
V-1	VERTICAL BAR.	NO. 5	1	



NOTES

1. PRECAST USING CLASS 30 CONCRETE. ENSURE THAT REINFORCING STEEL IS IN ACCORDANCE WITH SECTION 708 - METALS OF THE STANDARD SPECIFICATIONS FOR HIGHWAY CONSTRUCTION. PROVIDE 2" MINIMUM CONCRETE COVER OVER REINFORCING STEEL UNLESS OTHERWISE NOTED.
2. ENSURE THAT REINFORCING STEEL BENDS ARE MADE IN ACCORDANCE WITH THE LATEST A.C.I. STANDARD PRACTICES AND AASHTO SPECIFICATIONS.
3. THE DIMENSIONS SHOWN IN THE REINFORCING STEEL TABLE ARE MEASURED FROM OUTSIDE-TO-OUTSIDE (O. TO O.) OF BENDS OR BAR ENDS UNLESS OTHERWISE NOTED.
4. ONLY USE THE TYPE A TERMINAL ADJACENT TO ONCOMING TRAFFIC WHEN THE TERMINAL IS PLACED OUTSIDE OF THE CLEAR-ZONE. ONLY USE THE TYPE A TERMINAL ON THE TRAILING END OF A BARRIER IF THE TERMINAL IS OUTSIDE OF THE CLEAR-ZONE OF TRAVEL LANES IN THE OPPOSING DIRECTION.
5. THE TYPE B TERMINAL MAY BE USED WITHIN THE CLEAR-ZONE WHEN TRAFFIC SPEEDS ARE 40 MPH OR LESS AND AND SPACE IS LIMITED BY RIGHT-OF-WAY CONSTRAINTS OR THE OTHER ROADSIDE FEATURES THAT PRECLUDE USING A GUARDRAIL TERMINAL OR CRASH CUSHION.
6. STAKE THE TERMINALS AT THE TAPERED END. STAKE TERMINAL B IN THE STAKE SLOTS WHEN THE CONNECTING BARRIER IS STAKED. ENSURE THAT THE STAKES DO NOT PROTRUDE BEYOND THE EXTERIOR OF THE TERMINAL SURFACE.
7. PIN CONNECT THE TERMINALS TO BARRIER UNITS WHEN POSTED HIGHWAY SPEEDS ARE 35 MPH OR HIGHER.
8. DRAWING NOT TO SCALE.

TERMINAL TYPE A

REVISIONS							
NO.	DATE	BY	NO.	DATE	BY	NO.	DATE
1	01-86	GB	6	12-92	MSM	11	09-10
2	08-86	GB	7	09-93	MSM	12	11-14
3	06-87	GB	8	02-96	MSM		
4	04-89	GB	9	01-00	MSM		
5	01-91	GB	10	12-04	MSM		

SCALES SHOWN ARE FOR 11" X 17" PRINTS ONLY

CADD FILE NAME: 612-20_1114.dgn

DRAWING DATE: NOVEMBER, 1974

IDAHO TRANSPORTATION DEPARTMENT

BOISE IDAHO

ORIGINAL SIGNED BY: CARL D. MAIN
DESIGN/TRAFFIC SERVICES ENGINEER

STANDARD DRAWING
CONCRETE BARRIER TERMINALS
REQUIRES SHEET 2 OF 2

ORIGINAL STORED AT: ITD, Headquarters 3311 West State Boise, Idaho

English

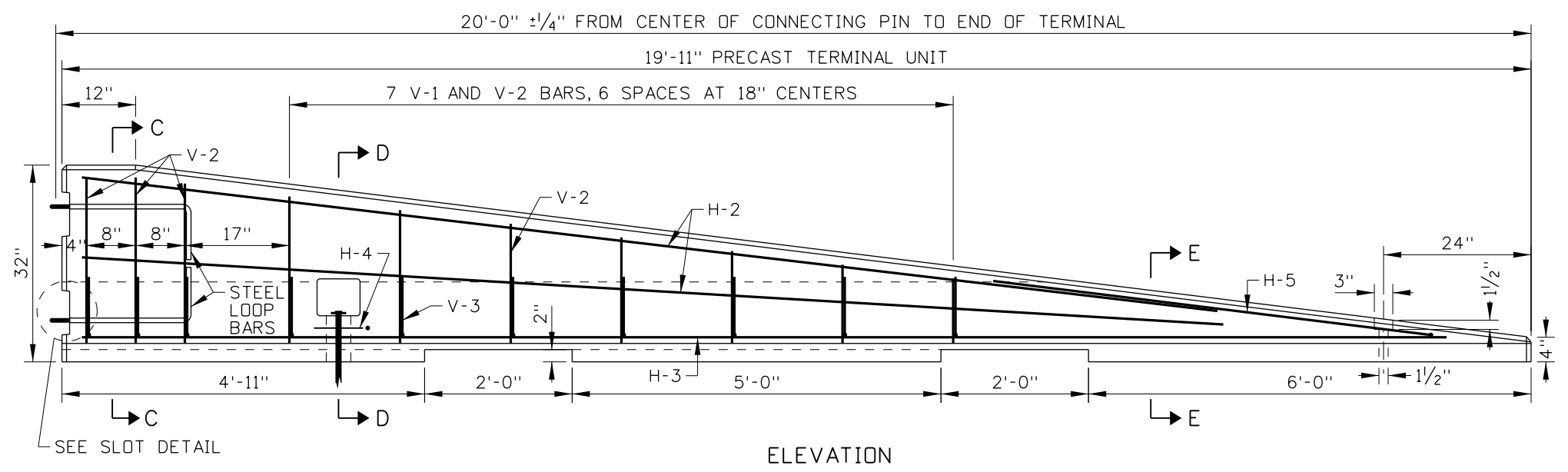
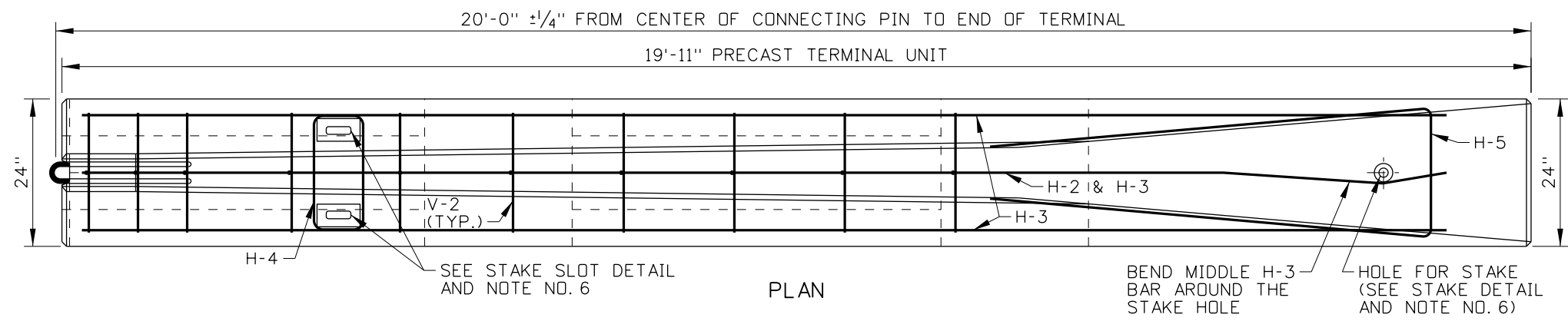
STANDARD DRAWING NO.
612-20

SHEET 1 OF 2

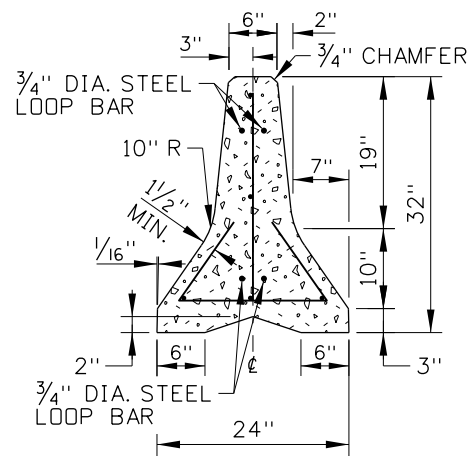
ORIGINAL SIGNED BY:
RYAN D. LANCASTER
DATE: ORIGINAL SIGNED:
DECEMBER 1, 2014

TERMINAL TYPE B REINFORCING STEEL TABLE
(SEE NOTE NOS. 1, 2, & 3)

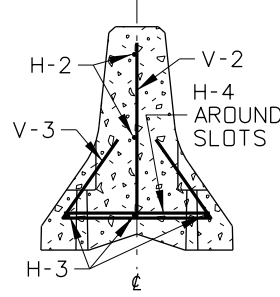
MARK	LOCATION	BAR SIZE	NUMBER OF BARS	SKETCH																				
H-2	HORIZONTAL BAR. TIED TO V-1 BARS.	NO. 5	2	15'-6"																				
H-3	HORIZONTAL BAR. TIED TO V2 BARS.	NO. 5	3	18'-6"																				
H-4	HORIZONTAL BAR. 1 AROUND EACH SLOTS BETWEEN V-1 BARS.	NO. 4	2	<p>18 1/2" 1" MIN. OVRLP. 1" MIN. COVER 1 1/2" R (TYP.) SLOTS 5'-3" TOTAL BAR LENGTH</p>																				
H-5	HORIZONTAL BAR. AT END OF BARRIER ALONG TOP SLOPE.	NO. 5	1	<p>6'-0" 21" 85° 13'-9" TOTAL BAR LENGTH</p>																				
V-2	VERTICAL BAR.	NO. 5	10	<table border="1"> <thead> <tr> <th>L (IN.)</th> <th>QTY.</th> </tr> </thead> <tbody> <tr><td>26</td><td>2</td></tr> <tr><td>25</td><td>1</td></tr> <tr><td>23</td><td>1</td></tr> <tr><td>21</td><td>1</td></tr> <tr><td>19</td><td>1</td></tr> <tr><td>17</td><td>1</td></tr> <tr><td>15</td><td>1</td></tr> <tr><td>12</td><td>1</td></tr> <tr><td>10</td><td>1</td></tr> </tbody> </table> <p>3'-7 1/2" TOTAL BAR LENGTH</p>	L (IN.)	QTY.	26	2	25	1	23	1	21	1	19	1	17	1	15	1	12	1	10	1
L (IN.)	QTY.																							
26	2																							
25	1																							
23	1																							
21	1																							
19	1																							
17	1																							
15	1																							
12	1																							
10	1																							
V-3	VERTICAL BAR. TIE TO V-1 AND H-2 BARS.	NO. 5	10	<p>19 1/2" 12" 55°</p>																				



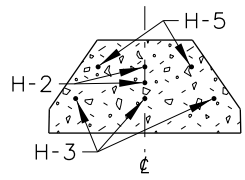
ELEVATION
TERMINAL TYPE B



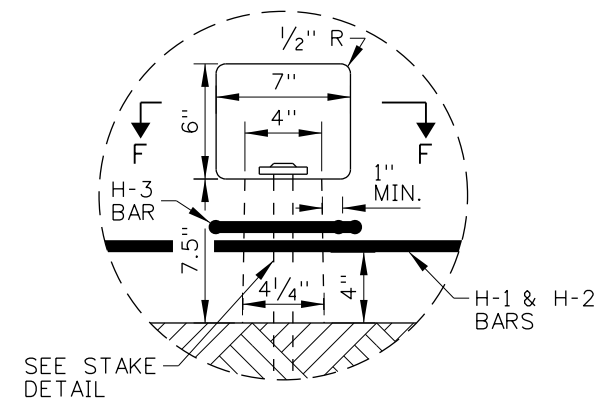
SECTION C-C
(ALSO SEE END VIEW ON SHEET 1)



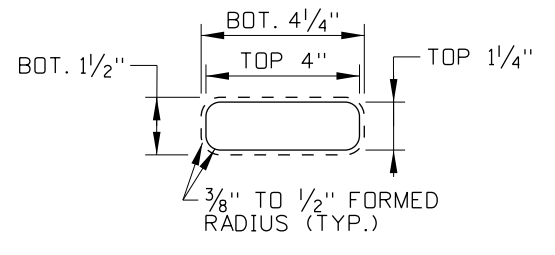
SECTION D-D



SECTION E-E



STAKE SLOT DETAIL



SECTION F-F

ORIGINAL STORED AT: ITD, Headquarters 3311 West State Boise, Idaho

REVISIONS							
NO.	DATE	BY	NO.	DATE	BY	NO.	DATE
1	01-86	GB	6	12-92	MSM	11	09-10
2	08-86	GB	7	09-93	MSM	12	11-14
3	06-87	GB	8	02-96	MSM		
4	04-89	GB	9	01-00	MSM		
5	01-91	GB	10	12-04	MSM		

SCALES SHOWN ARE FOR 11" X 17" PRINTS ONLY
CADD FILE NAME: 612-20_1114.dgn
DRAWING DATE: NOVEMBER, 1974

IDAHO TRANSPORTATION DEPARTMENT
BOISE IDAHO

ORIGINAL SIGNED BY: CARL D. MAIN
DESIGN/TRAFFIC SERVICES ENGINEER

STANDARD DRAWING
CONCRETE BARRIER TERMINALS
REQUIRES SHEET 1 OF 2

English
STANDARD DRAWING NO. 612-20
SHEET 2 OF 2

ORIGINAL SIGNED BY: RYAN D. LANCASTER
DATE ORIGINAL SIGNED: DECEMBER 1, 2014