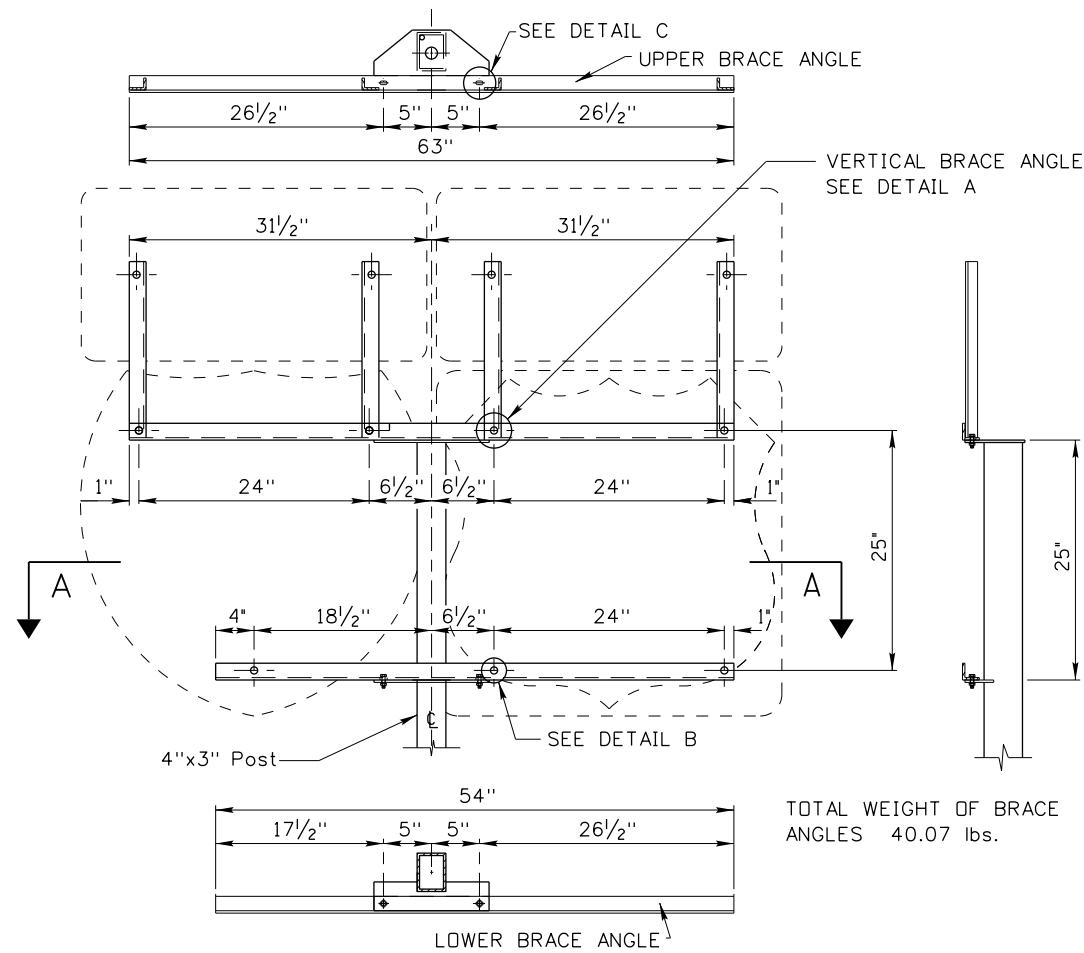
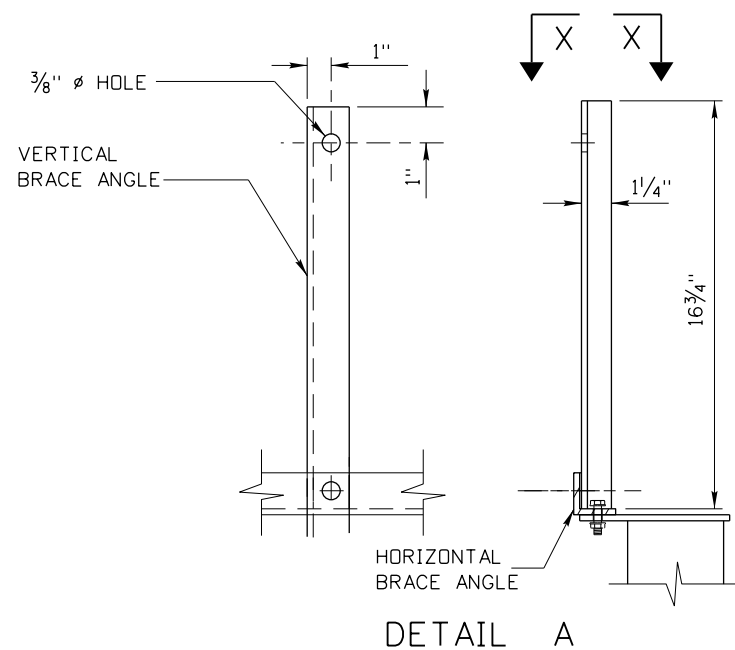


TOP VIEW

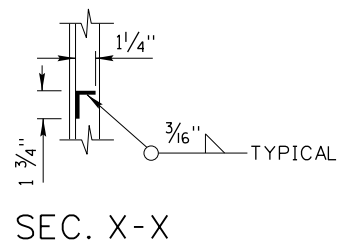


TOTAL WEIGHT OF BRACE ANGLES 40.07 lbs.

SEC. AA

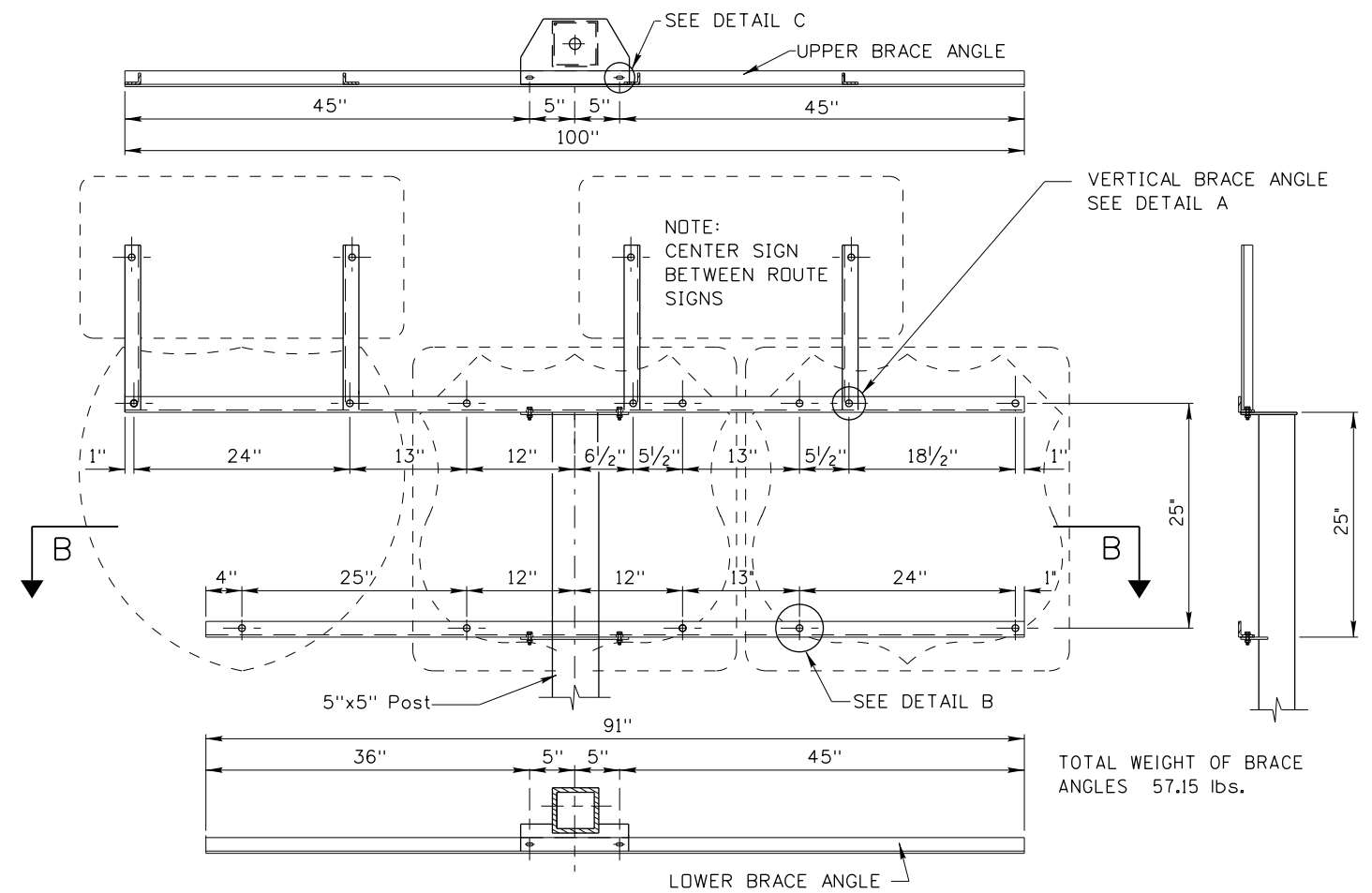


DETAIL A



SEC. X-X

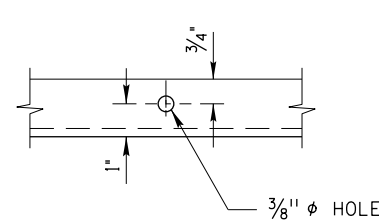
TOP VIEW



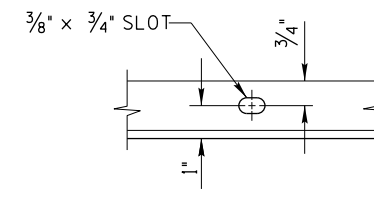
TOTAL WEIGHT OF BRACE ANGLES 57.15 lbs.

SEC. B-B

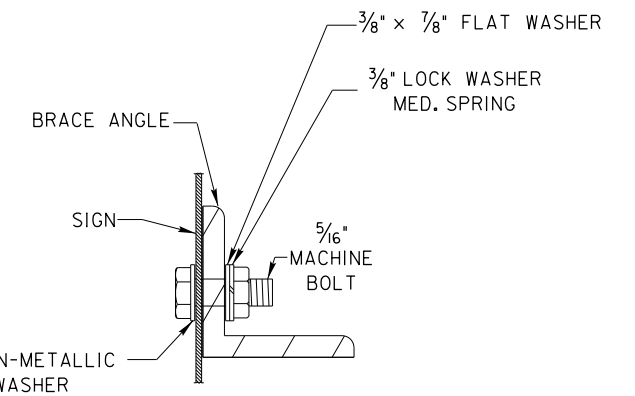
NOTE:
THESE BRACE ANGLE ASSEMBLIES MAY BE MODIFIED TO ACCOMMODATE ADDITIONAL CARDINAL ROUTE MARKERS ABOVE EACH ROUTE SHIELD AS SHOWN ON THE PLANS. CONFIRMING ROUTE MARKERS DO NOT REQUIRE THE VERTICAL BRACE ANGLES.



DETAIL B



DETAIL C



TYPICAL SIGN ATTACHMENT DETAIL

NOTES:

1. WEIGHTS OF BRACE ANGLES DO NOT INCLUDE GALVANIZING.
2. ALL BRACE ANGLES SHALL BE 1 3/4"x1 3/4"x1/4" AT 2.77 LBS./FT WITH THE EXCEPTION OF THE VERTICAL BRACE ANGLE WHICH SHALL BE 1 3/4"x1 1/4"x1/4" AT 2.34 LBS./FT.
3. DRAWING IS NOT TO SCALE.

ORIGINAL STORED AT: ITD, Headquarters 3311 West State Boise, Idaho

ORIGINAL SIGNED BY: RYAN D. LANCASTER DATE ORIGINAL SIGNED: MAY 1, 2017

REVISIONS								
NO.	DATE	BY	NO.	DATE	BY	NO.	DATE	BY
1	12-01	NQB						
2	07-03	NQB						
3	09-10	HEB						
4	05-17	HEB						

SCALES SHOWN ARE FOR 11" X 17" PRINTS ONLY
CADD FILE NAME: 616-17_0517.dgn
DRAWING DATE: AUGUST, 1992

IDAHO TRANSPORTATION DEPARTMENT



BOISE IDAHO

ORIGINAL SIGNED BY: KEVIN SABLAN
DESIGN/TRAFFIC SERVICES ENGINEER

STANDARD DRAWING
36" ROUTE AND AXUILIARY SIGN BRACE ANGLE ASSEMBLIES
REQUIRES STD. DWG. 616-6

English
STANDARD DRAWING NO.
616-17
SHEET 1 OF 1