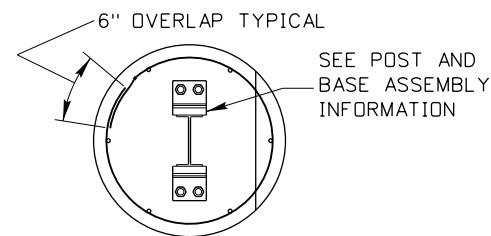
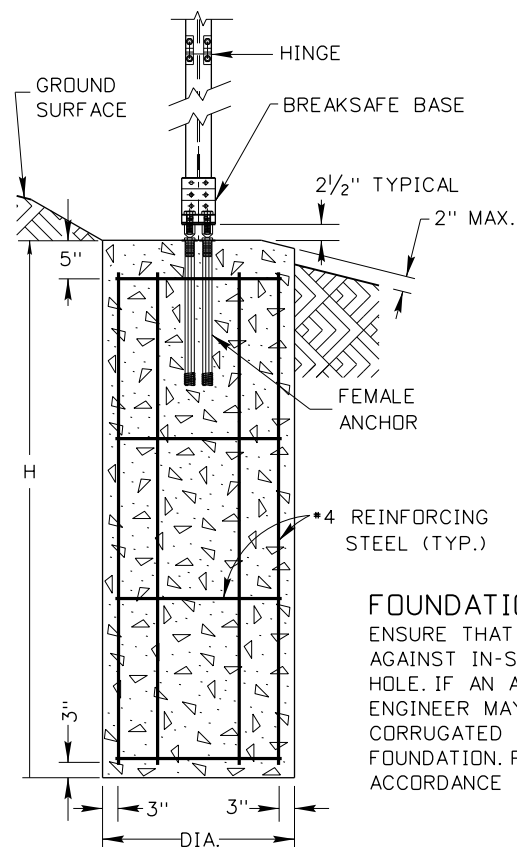


NOTES:

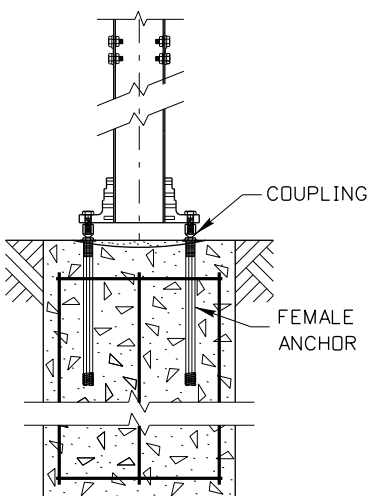
1. SEE SIGNING ERECTION SPECIFICATIONS FOR DIMENSIONS OF EACH SIGN INSTALLATION.
2. INSTALL BREAKAWAY SUPPORT SYSTEM PER MANUFACTURERS INSTRUCTIONS.
3. USE ANCHOR TEMPLATE TO HOLD ANCHORS SOLID AND LEVEL.
4. NO PART OF THE FOUNDATION OR NON-BREAKAWAY PART OF THE BASE SHOULD PROTRUDE MORE THAN 2" ABOVE THE GROUND SURFACE.
5. FOUNDATION REINFORCING STEEL CAGES MAY BE WELDED IF THE REINFORCING STEEL CONFORMS TO ASTM A706/A706M AND ALL WELDING CONFORMS TO ANSI/AWS D1.4 (STRUCTURAL WELDING CODE - REINFORCING STEEL).
6. CURE FOUNDATIONS FOR A MINIMUM OF 7 DAYS BEFORE ANY LOADING IS APPLIED.
7. DRAWING NOT TO SCALE.



TYPICAL FOUNDATION TOP VIEW



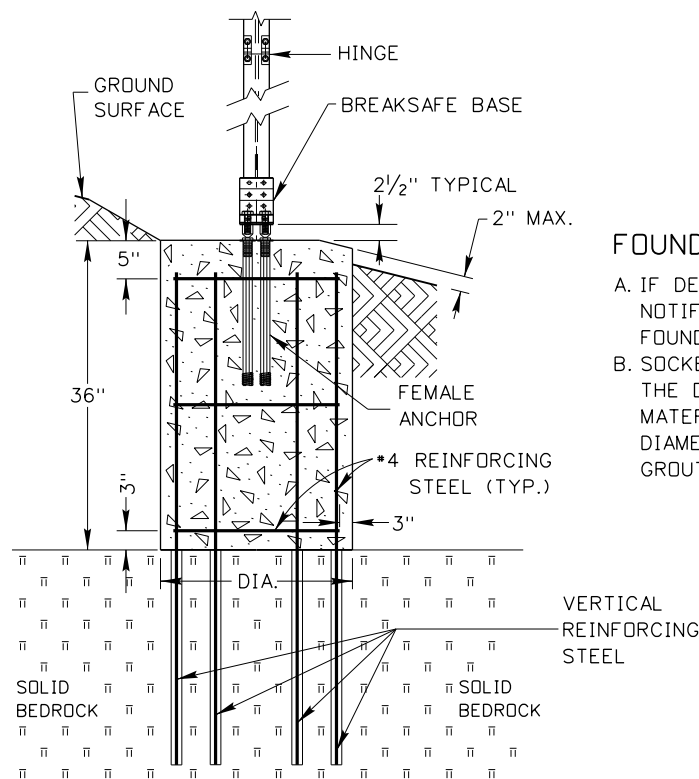
FRONT VIEW



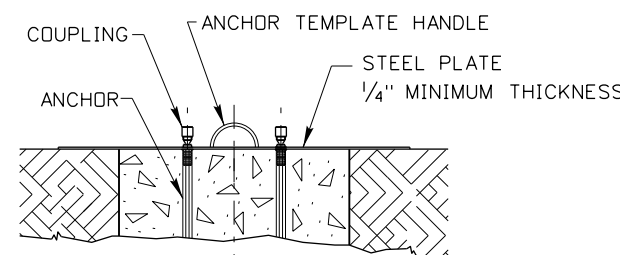
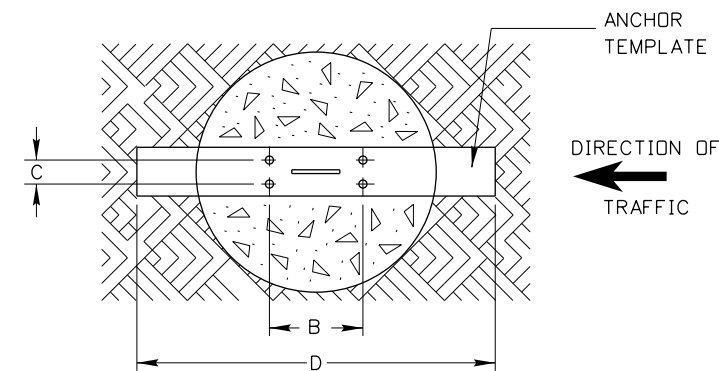
SIDE VIEW

FOUNDATION NOTE:

ENSURE THAT CAST-IN-PLACE FOUNDATION IS PLACED AGAINST IN-SITU (NATIVE) SOILS IN AN AUGERED HOLE. IF AN AUGURED HOLE IS NOT POSSIBLE, THE ENGINEER MAY ALLOW FOUNDATION EXCAVATION. USE CORRUGATED METAL PIPE AS A FORM FOR THE FOUNDATION. PLACE AND COMPACT BACKFILL IN ACCORDANCE TO SUBSECTION 210.03.



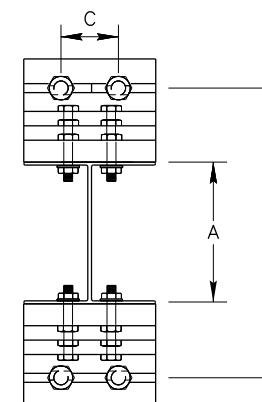
SOLID BEDROCK FRONT VIEW



TYPICAL ANCHOR TEMPLATE FOR TYPE A SIGN POSTS

FOUNDATION IN SOLID BEDROCK NOTES:

- A. IF DEPTH TO BEDROCK IS LESS THAN 36", NOTIFY THE ENGINEER. REDESIGN OF THE FOUNDATION MAY BE REQUIRED.
- B. SOCKET VERTICAL REINFORCING STEEL FOR THE DEPTH SHOWN IN POLE FOUNDATION MATERIAL QUANTITIES. DRILL 2 INCH MINIMUM DIAMETER HOLES. FILL DRILLED HOLES WITH GROUT, TYPE "B", CLASS 1.



FOUNDATION MATERIAL QUANTITIES					
FOUNDATION SIZE	CONCRETE	VERTICAL REINFORCING STEEL		REINFORCING STEEL HOOPS	
		QTY.	LN. FT.	QTY.	LN. FT.
24" X 60"	0.6 CU. YDS.	6	26	4	20.85
30" X 84"	1.3 CU. YDS.	6	38	4	27.13
36" X 96"	2.1 CU. YDS.	8	60	5	41.77

FOUNDATION IN SOLID BEDROCK MATERIAL QUANTITIES					
FOUNDATION SIZE	CONCRETE	VERTICAL REINFORCING STEEL		REINFORCING STEEL HOOPS	
		QTY.	LN. FT.	QTY.	LN. FT.
24" X 36"	0.38 CU. YDS.	6	26	3	15.65
30" X 36"	0.44 CU. YDS.	6	38	3	20.35
36" X 36"	0.52 CU. YDS.	8	60	3	25.06

SIGN POST AND BASE ASSEMBLY INFORMATION								
POST TYPE	WIDE FLANGE BEAM POST SIZE	WEIGHT LBS. PER FOOT	BREAKSAFE ASSEMBLY MODEL	FOUNDATION SIZE DIA. X H	A DIMENSION	B DIMENSION	C DIMENSION	D ANCHOR TEMPLATE DIMENSIONS
A-1	W6 X 9	9	A16	24" X 60"	5 7/8"	9 3/8"	4 1/4"	6" x 36" x 1/4"
A-2	W8 X 10	10	B525	30" X 84"	7 7/8"	15 7/8"	3"	6" x 40" x 1/4"
A-3	W8 X 13	13	B525	30" X 84"	8"	16"	3"	6" x 40" x 1/4"
A-4	W8 X 18	18	B525	30" X 84"	8 1/8"	16 1/8"	3"	6" x 40" x 1/4"
A-8	W12 X 19	19	B650	36" X 96"	12 1/8"	20 1/8"	4"	6" x 48" x 1/4"
A-9	W14 X 22	22	B650	36" X 96"	13 3/4"	21 3/4"	4"	6" x 48" x 1/4"

ORIGINAL STORED AT: ITD, Headquarters 3311 West State Boise, Idaho

REVISIONS							
NO.	DATE	BY	NO.	DATE	BY	NO.	DATE

SCALES SHOWN ARE FOR 11" X 17" PRINTS ONLY
 CADD FILE NAME: 616-5_1216.dgn
 DRAWING DATE: DECEMBER, 2016

IDAHO TRANSPORTATION DEPARTMENT

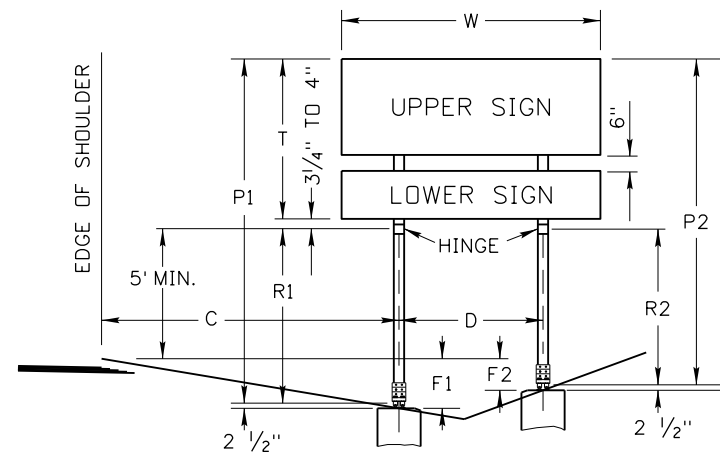
BOISE IDAHO

ORIGINAL SIGNED BY: TED MASON
 DESIGN/TRAFFIC SERVICES ENGINEER

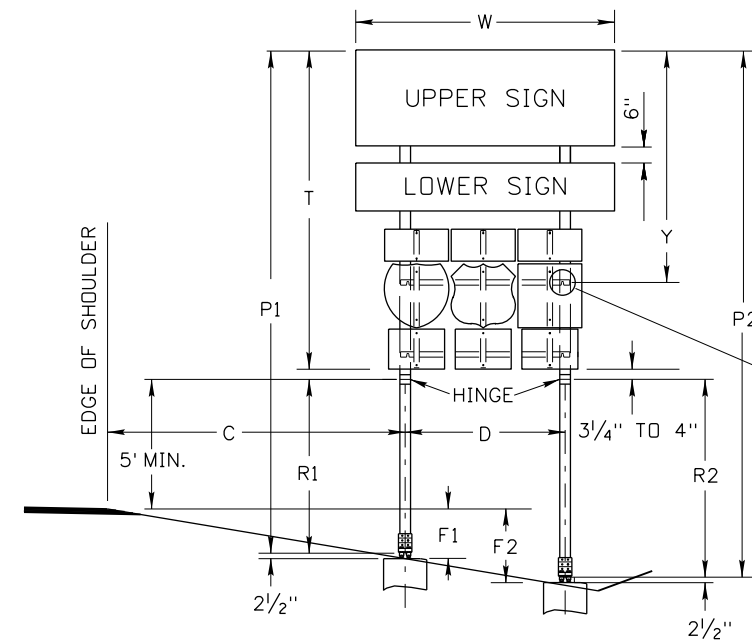
STANDARD DRAWING
BREAKAWAY STEEL SIGN POST INSTALLATION TYPE A
 REQUIRES SHEET 2 OF 2

English
 STANDARD DRAWING NO. **616-5**
 SHEET 1 OF 2

ORIGINAL SIGNED BY: RYAN D. LANCASTER
 DATE: ORIGINAL SIGNED: DECEMBER 6, 2016



TYPICAL SIGN INSTALLATION

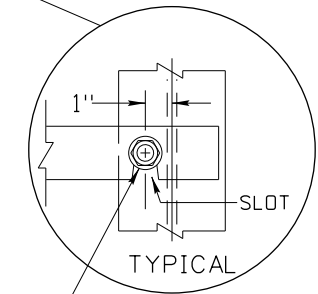


TYPICAL SIGN INSTALLATION WITH ROUTE MARKERS (W8 X 9 & W8 X 10 SIGN POSTS)

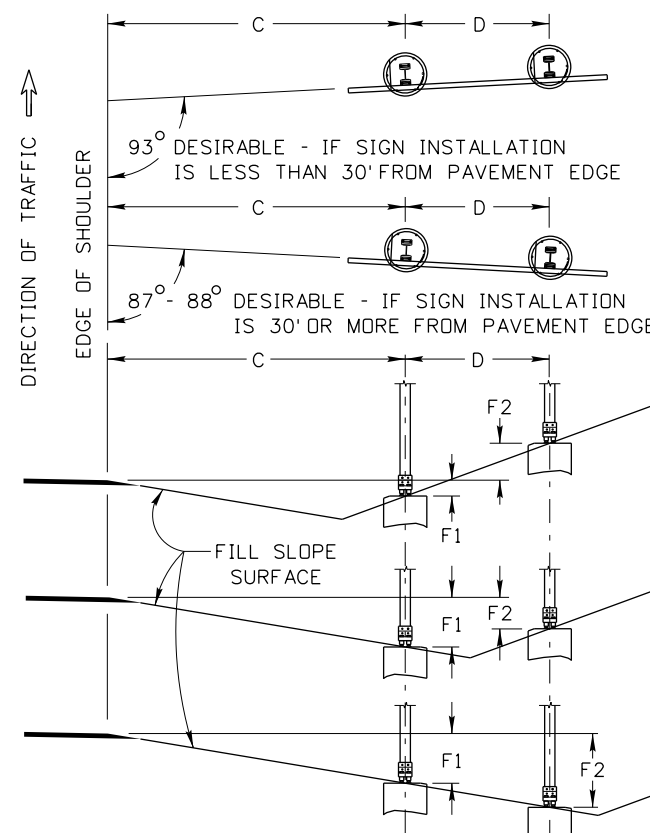
NO. OF SIGNS	SIGN PANEL HEIGHT	Y
1	2'-0"	3'-1"
1	3'-0"	4'-1"
2	2'-0"	5'-7"
2	3'-0"	7'-7"
2	2'-0"	6'-7"
2	3'-0"	6'-7"

NOTE:
INCREASE "Y" DIMENSION 12 1/2" BY WHEN A 24" x 12" AUXILIARY SIGN IS MOUNTED ABOVE THE ROUTE MARKERS ATTACHED TO THE SIGN BRACKETS.

Y DIMENSION INFORMATION



5/16" BOLT WITH WASHERS



TYPICAL FOUNDATION LOCATION

LEGEND

- C DISTANCE FROM EDGE OF SHOULDER TO CENTER LINE OF FIRST POST.
- D POST SPACING.
- F1, F2 VERTICAL DISTANCE FROM TOP OF FOUNDATION TO THE ELEVATION OF THE EDGE OF THE SHOULDER.
- P1 TOTAL POST LENGTH OF FIRST POST.
- P2 TOTAL POST LENGTH OF SECOND POST.
- R1 LENGTH OF FIRST LOWER POST. (7' MIN.)
- R2 LENGTH OF SECOND LOWER POST.
- T OVERALL HEIGHT OF SIGN(S).
- W OVERALL WIDTH OF SIGN(S).
- Y DISTANCE FROM THE TOP OF THE SIGN PANEL TO THE CENTER OF THE UPPER SLOT.

ORIGINAL STORED AT: ITD, Headquarters 3311 West State Boise, Idaho

ORIGINAL SIGNED BY: RYAN D. LANCASTER
DATE ORIGINAL SIGNED: DECEMBER 6, 2016

REVISIONS								
NO.	DATE	BY	NO.	DATE	BY	NO.	DATE	BY

SCALES SHOWN ARE FOR 11" X 17" PRINTS ONLY
CADD FILE NAME: 616-5_1216.dgn
DRAWING DATE: DECEMBER, 2016

IDAHO TRANSPORTATION DEPARTMENT

BOISE IDAHO

ORIGINAL SIGNED BY: TED MASON
DESIGN/TRAFFIC SERVICES ENGINEER

STANDARD DRAWING
BREAKAWAY STEEL SIGN POST INSTALLATION TYPE A
REQUIRES SHEET 1 OF 2

English
STANDARD DRAWING NO.
616-5
SHEET 2 OF 2