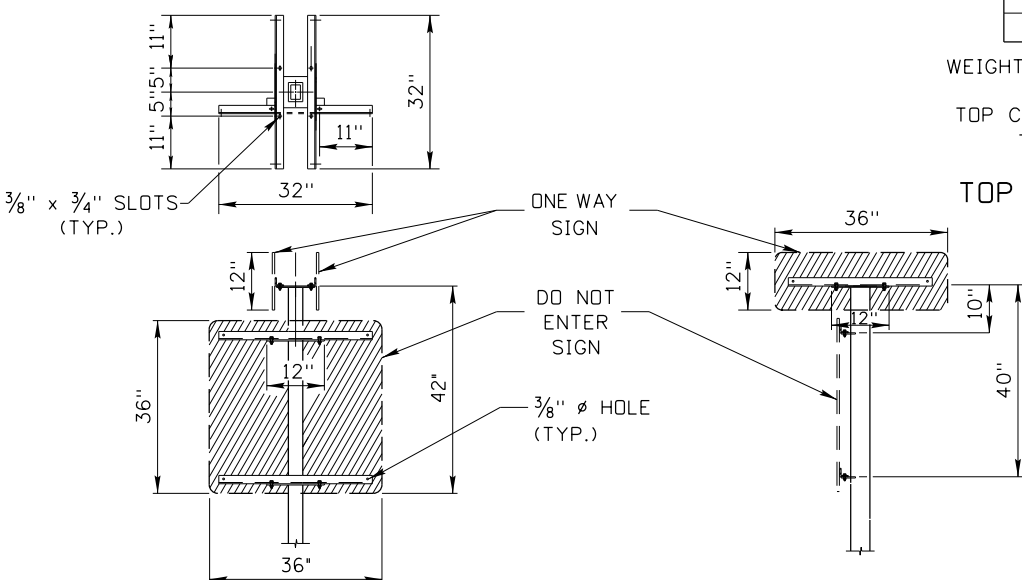


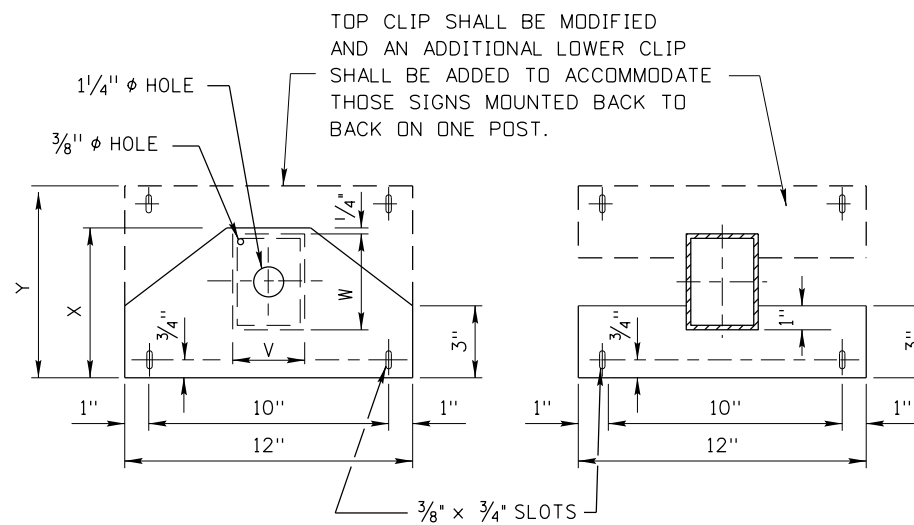
WEIGHT OF BRACE ANGLES = 48.92 lbs.

RAMP TERMINAL ASSEMBLY "A"

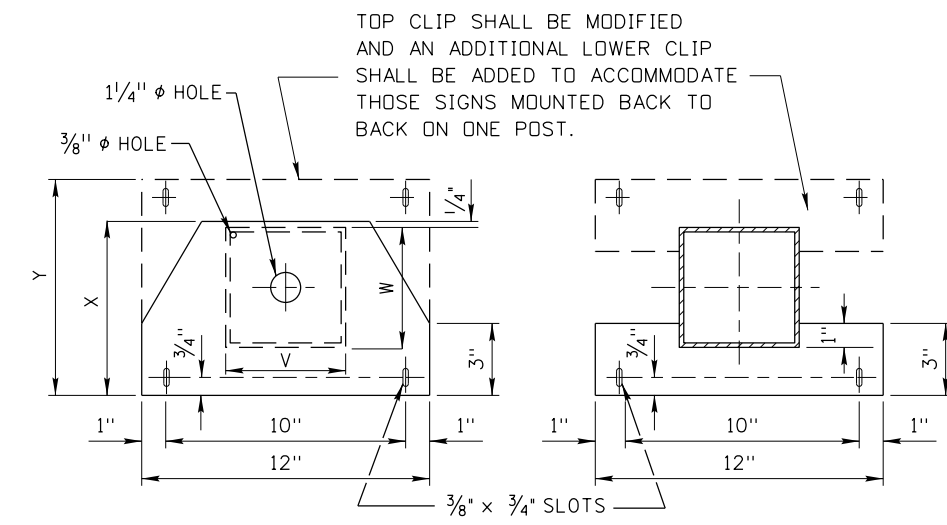


WEIGHT OF BRACE ANGLES = 29.56 lbs.

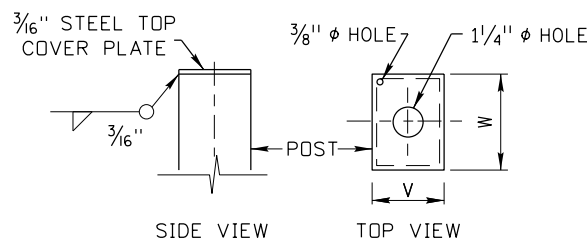
RAMP TERMINAL ASSEMBLY "B"



B-2 POST TOP CLIP DETAIL TOP VIEW  
B-2 POST LOWER CLIP DETAIL SECTION A-A



B-3 & B-4 POST TOP CLIP DETAIL TOP VIEW  
B-3 & B-4 POST LOWER CLIP DETAIL SECTION A-A



Post Type	Post		Weight, in Lbs. for cover plate
	V	W	
B-2	3"	4"	0.55
B-3	4"	6"	1.25
B-4	4"	8"	1.80

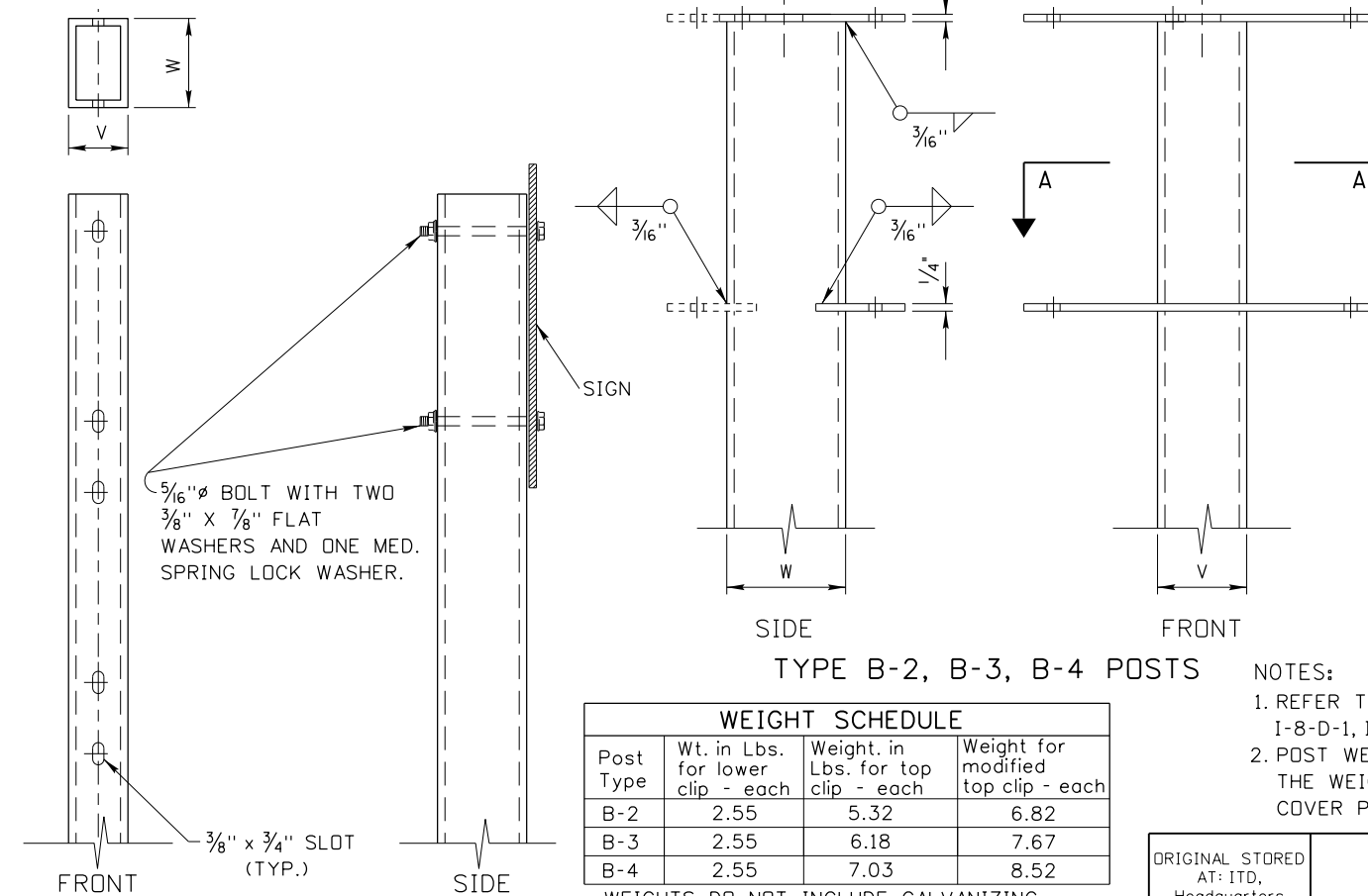
WEIGHTS DO NOT INCLUDE GALVANIZING

TOP COVER PLATE IS REQUIRED WHEN THERE IS NOT A TOP CLIP

TOP COVER PLATE DETAILS

Post Type	Post		Top Clip	
	V	W	X	Y
B-2	3"	4"	6 $\frac{1}{4}$ "	8"

Post Type	Post		Top Clip	
	V	W	X	Y
B-3	5"	5"	7 $\frac{1}{4}$ "	9"
B-4	6"	6"	8 $\frac{1}{4}$ "	10"



WEIGHTS DO NOT INCLUDE GALVANIZING

WEIGHT SCHEDULE			
Post Type	Wt. in Lbs. for lower clip - each	Weight. in Lbs. for top clip - each	Weight for modified top clip - each
B-2	2.55	5.32	6.82
B-3	2.55	6.18	7.67
B-4	2.55	7.03	8.52

- NOTES:
- REFER TO STANDARD DRAWINGS I-8-D-1, I-8-D-2 & I-8-D-3.
  - POST WEIGHTS SHALL INCLUDE THE WEIGHT OF THE CLIPS OR COVER PLATES IF USED.

ORIGINAL STORED AT: ITD, Headquarters 3311 West State Boise, Idaho

ORIGINAL SIGNED BY: CARL D. MAIN  
DATE: ORIGINAL SIGNED: DECEMBER 6, 2013

REVISIONS							
NO.	DATE	BY	NO.	DATE	BY	NO.	DATE
1	08-96	HEB	6	09-11	HEB		
2	02-98	HEB	7	12-13	HEB		
3	12-01	NQB					
4	12-07	HEB					
5	07-10	HEB					

SCALES SHOWN ARE FOR 11" X 17" PRINTS ONLY  
CADD FILE NAME: i9a21213.dgn  
DRAWING DATE: DECEMBER, 2007

IDAHO TRANSPORTATION DEPARTMENT  
BOISE IDAHO

ORIGINAL SIGNED BY: RYAN LANCASTER for DESIGN/TRAFFIC SERVICES ENGINEER

STANDARD DRAWING  
B POST AND BRACE ANGLE DETAIL  
REQUIRES STD. DWG. I-9-A-1

English  
STANDARD DRAWING NO. I-9-A-2  
SHEET 1 OF 1